

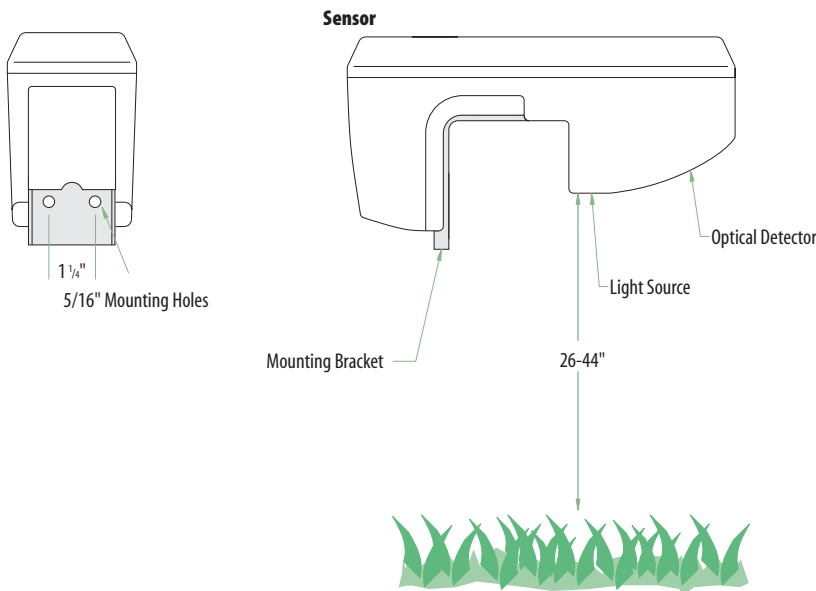
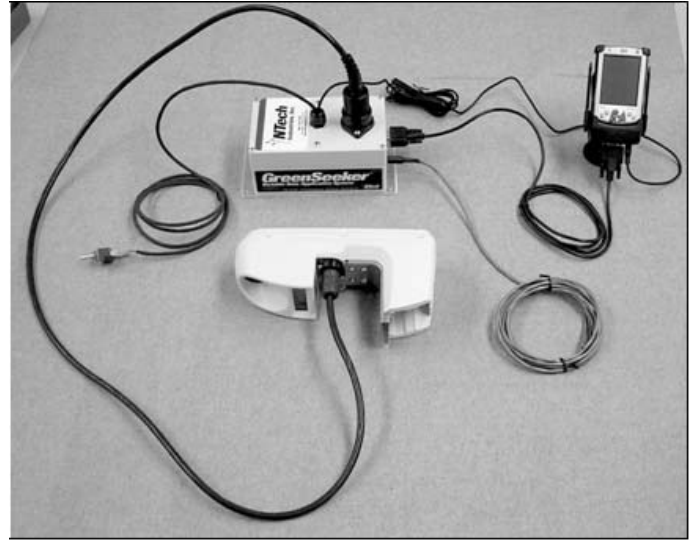
## RT100

# GreenSeeker<sup>®</sup> RT100

## Single Sensor for Agronomic Data Collection & Mapping

The GreenSeeker RT100 Data Collection and Mapping Unit is a tool for crop research and consulting that provides precision measurement and data logging of the Normalized Difference Vegetative Index (NDVI) and Red to Near Infrared Ratios of plant material. These data points can be used to indicate basic nutrient response, crop condition, yield potential, stress, pest and disease impact in a quantitative manner. The unit can be used to monitor changing field (plant/crop) conditions during the growing season and the effects of different levels of an input compared to a local standard.

The optional RT Mapper Software is used to collect georeferenced data and produces shape files for generating maps.



## Applications

- ◆ Remote Sensing & Agronomic Research
- ◆ Biomass & Vigor Measurements and Plant Canopy Variations
- ◆ Nutrient Response, Yield Potential, Pest & Disease Impact
- ◆ Mapping for Field Crops, Row Crops, Orchards, Vineyards, Turf, etc.
- ◆ Dual Index Data Outputs permit Comparative Analysis
- ◆ Data Collection during other Farming or Maintenance Operations

# GreenSeeker® RT100

## Specifications

900-1-3XX

### Electrical

Voltage	12VDC nominal (11.0V – 15.5V)
Current	300mA nominal (600mA peak)

### Mechanical

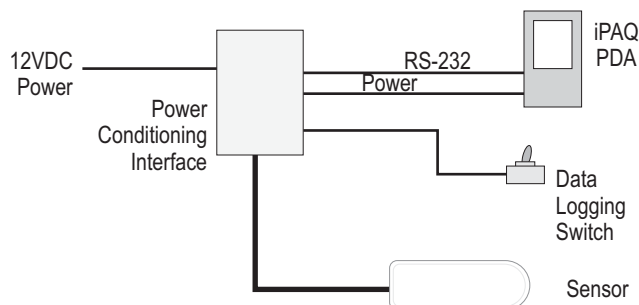
Dimensions (Sensor)	L: 10.9" W: 3.38" H: 5.9" (27.7 x 8.6 x 15.0 cm)
Weight	2.25 lb (1.02 kg)
Dimensions (Control Box)	
Weight	

### Emission Wavelengths

Near Infrared	(All Models)	774nm	~25nm FWHM
Red	(Model 500/505)	656nm	~25nm FWHM

### Outputs

Data Format	Model 500	RS232: ASCII Text, 38400, 8,N,1, plus V out
1st Vegetation Index	NDVI	<i>FWHM: spectral width at 50% of peak</i>
2nd Vegetation Index	IRVI (default)	IRVI, RVI, NDVI, SA-NDVI, WDR-NDVI
NDVI Range	0.00 – 0.99	
FOV (Field of View)	24" ± 4" x 0.6 ± 0.2"	



Sensor Mounting Height
28" – 44" Optimal
24" – 62" Extended

### Models: multiple options with and without PDAs

Mounting Kit	850-1-022
GPS Receiver	

U.S. Patent No: 5,585,626 5,296,702 5,389,781 and others

[www.ntechindustries.com](http://www.ntechindustries.com)

740 South State Street Ukiah, CA 95482  
707.467.3747 ph 707.467.3750 fax

888.728.2436



DOC 2007.03.22