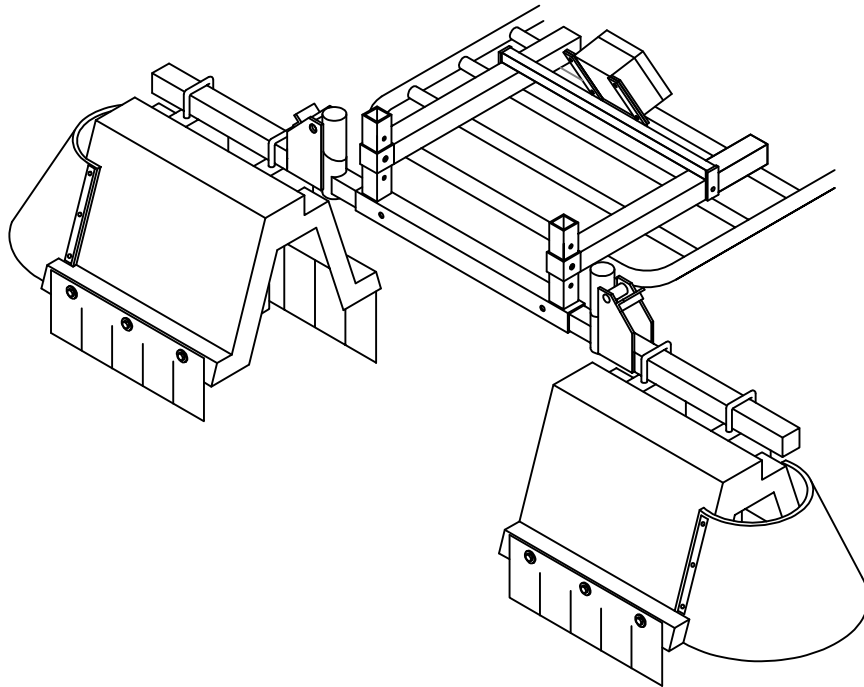
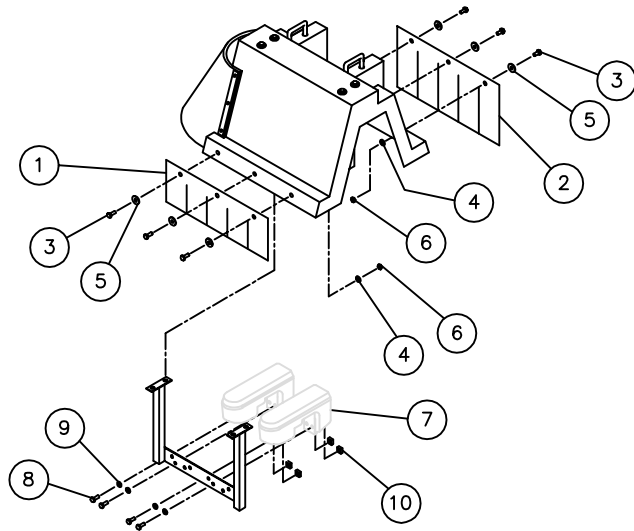


ATV Boom 8 ft.

P/N 850-1-070

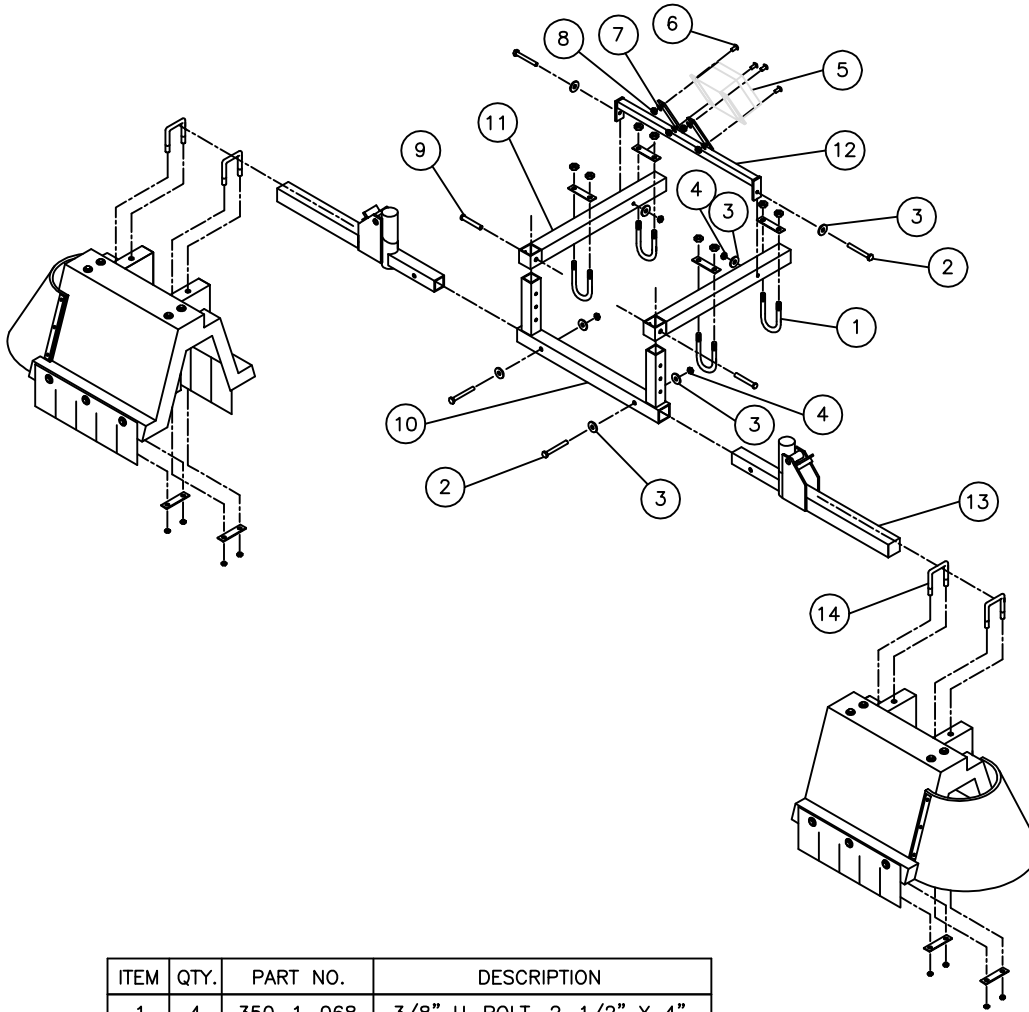


 **NTech**[®]
Industries, Inc.
888.728.2736
www.ntechindustries.com



ITEM	QTY.	PART NO.	DESCRIPTION
1	2	HOOD KIT	SHORT CURTAIN
2	2	HOOD KIT	LONG CURTAIN
3	12	HOOD KIT	1/4" X 3/4" BOLT
4	12	HOOD KIT	1/4" FLAT WASHER
5	12	HOOD KIT	1/4" FENDER WASHER
6	12	HOOD KIT	1/4" LOCK NUT
7	4	900-1-010	WEEDSEEKER SENSOR*
8	8	350-1-049	5/16" X 3/4" BOLT
9	8	350-2-009	5/16" LOCK WASHER
10	8	350-3-005	5/16" SQUARE NUT

*WEEDSEEKER SENSORS NOT INCLUDED WITH BOOM



ITEM	QTY.	PART NO.	DESCRIPTION
1	4	350-1-068	3/8" U-BOLT, 2-1/2" X 4" W/PLATE AND NUTS
2	2	350-1-034	5/16" X 2-3/4" BOLT
3	4	350-2-005	5/16" FLAT WASHER
4	2	350-3-014	5/16" LOCK NUT
5	1	900-1-031	WEEDSEEKER CONTROLLER*
6	4	350-1-035	#10-32 X 1/2" SCREW
7	4	350-2-017	#10 LOCK WASHER
8	4	350-3-007	#10 NUT
2	2	350-1-034	5/16" X 2-3/4" BOLT
3	2	350-2-005	5/16" FLAT WASHER
4	2	350-3-014	5/16" LOCK NUT
9	2	350-4-014	1/2" X 3" COTTER PIN
9	2	350-4-013	.093" COTTER HAIRPIN
10	1	390-1-018	ATV CENTER BAR WIDE
11	2	390-1-019	ATV FRONT MOUNT ARM
12	1	390-1-020	ATV CONTROLLER MOUNT WIDE
13	2	390-1-022	ATV BREAKWAY HINGE
14	4	HOOD KIT	5/16" SQUARE U-BOLT W/PLATE AND NUTS

*WEEDSEEKER CONTROLLER NOT INCLUDED WITH BOOM