

WeedSeeker®

Parts Catalog



740 South State Street Ukiah, CA 95482
www.ntechindustries.com
500-1-020 Rev. D

888.728.2436

(THIS PAGE PURPOSELY LEFT BLANK)

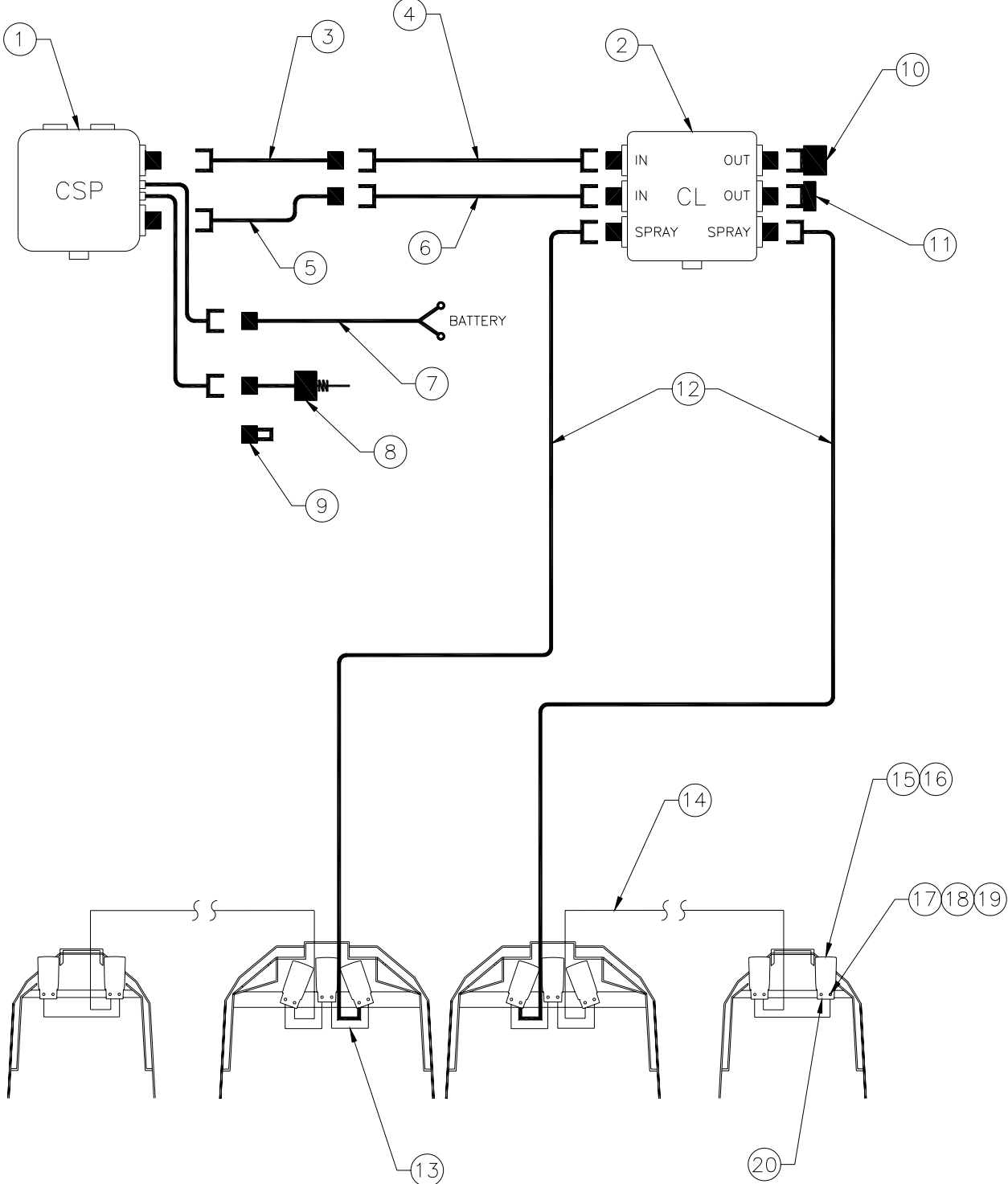
Table of Contents

	Page
Electronic, Row Crop Systems	4
Electronic, Permanent Crop Systems	6
WeedSeeker [®] Sensor	8
Valve Cartridge (VC01)	10
Row Crop Hoods	12
Plumbing, Row Crop Systems	14
Plumbing, Permanent Crop Systems	16
Warranty Information	18

Document Part Numbers

Installation and Operation Manual	500-1-018
Troubleshooting Manual	500-1-019
Parts Catalog	500-1-020

Electronic, Row Crop Systems, Drawing

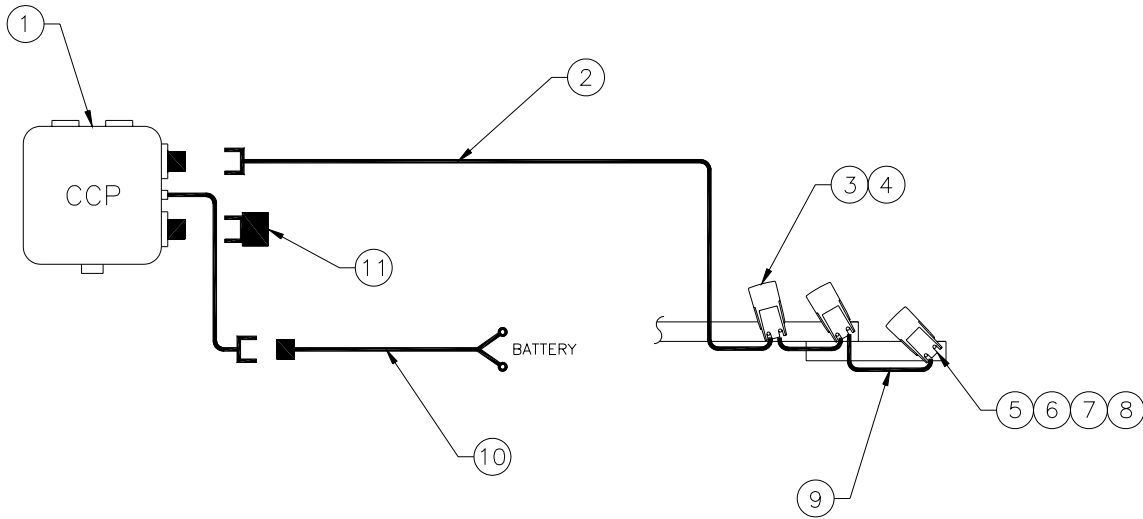


Electronic, Row Crop Systems, Bill of Materials

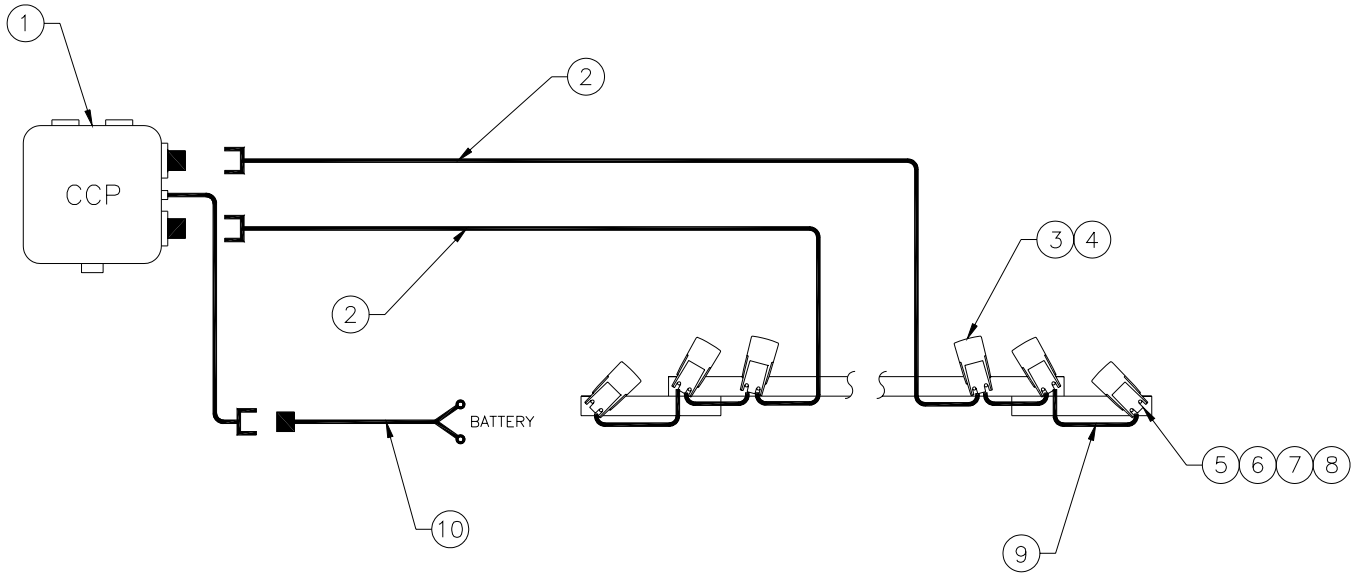
Item	Part Number	Part Name	Qty
1	900-1-024	Control Switch Panel (CSP)	1
2	900-1-026	Controller Logic (CL)	A/R
3	400-1-046-01	Cable, Power - CSP to Disconnect, 5 feet	1
4	400-1-047-01	Cable, Power - CL to Disconnect, 15 feet	A/R
	400-1-060-01	Cable, Power - CL to Disconnect, 10 feet	A/R
5	400-1-052-01	Cable, Signal - CSP to Disconnect, 5 feet	1
6	400-1-059-01	Cable, Signal - CL to Disconnect, 15 feet	A/R
	400-1-077-01	Cable, Signal - CL to Disconnect, 10 feet	A/R
7	400-1-065-01	Cable, Battery - 5 1/2 feet	1
8	310-1-011	Switch, Lift	1
9	400-1-073-01	Cable, Lift Switch Short (Cable Terminator)	1
10	010-1-115	Cap, Shroud	1
11	300-3-003	Cap, Connector	1
12	400-1-049-01	Cable, Controller - CL to Sensor, 6 feet	A/R
13	400-1-025-20	Cable, Sensor to Sensor - 20 inches, Daisy	A/R
14	400-1-038-01	Cable, Sensor to Sensor - 9 feet, Daisy	A/R
15	900-1-010	<i>WeedSeeker</i> [®] Sensor	A/R
16	900-1-005	Valve Cartridge (VC01)	A/R
17	350-1-032	Bolt - 5/16 - 18 x 2"	A/R
18	350-2-009	Washer, Lock - 5/16"	A/R
19	350-3-005	Nut, Square - 5/16 - 18	A/R
20	350-6-020	Sensor Plug, Nylon	A/R

Electronic, Permanent Crop Systems, Drawing

SINGLE BOOM



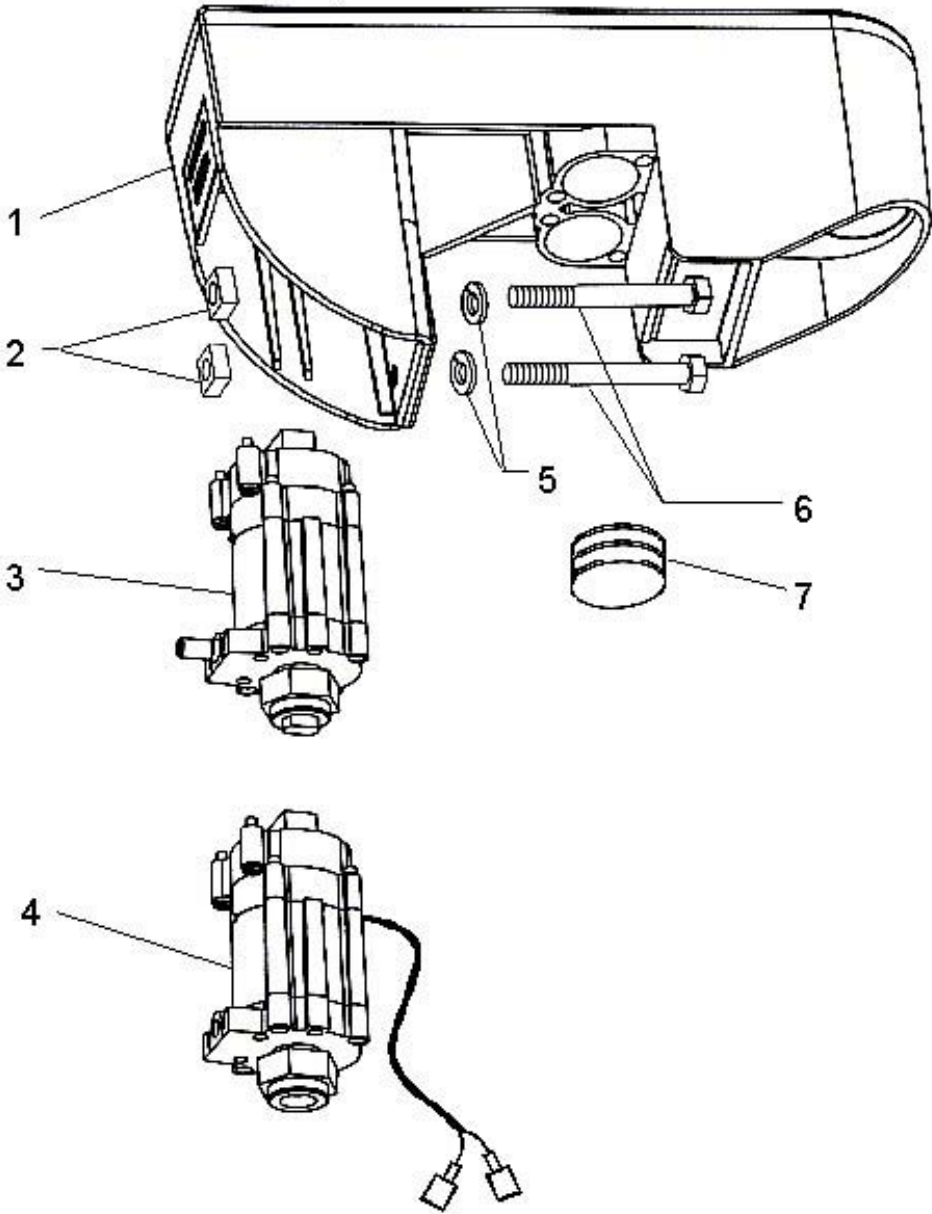
DOUBLE BOOM



Electronic, Permanent Crop Systems, Bill of Materials

Item	Part Number	Part Name	Single Boom Qty	Double Boom Qty
1	900-1-029	Controller (CCP)	1	1
2	400-1-072-01	Cable, Controller - 12 feet	1	2
	400-1-074-01	Cable, Controller - 16 feet	1	2
	400-1-075-01	Cable, Controller - 22 feet	1	2
3	900-1-010	WeedSeeker [®] Sensor	A/R	A/R
4	900-1-005	Valve Cartridge (VC01)	1	A/R
5	350-1-034	Bolt - 5/16 - 18 x 2 3/4"	A/R	A/R
6	350-2-009	Washer, Lock - 5/16"	A/R	A/R
7	350-3-005	Nut, Square - 5/16"-18	A/R	A/R
8	350-6-022	Sensor Plug, Nylon	1	2
9	400-1-025-20	Cable, Sensor to Sensor - 20 inches, Daisy	A/R	A/R
10	400-1-065-01	Cable, Battery - 5 1/2 feet	1	A/R
11	010-1-115	Cap, Shroud	1	N/A

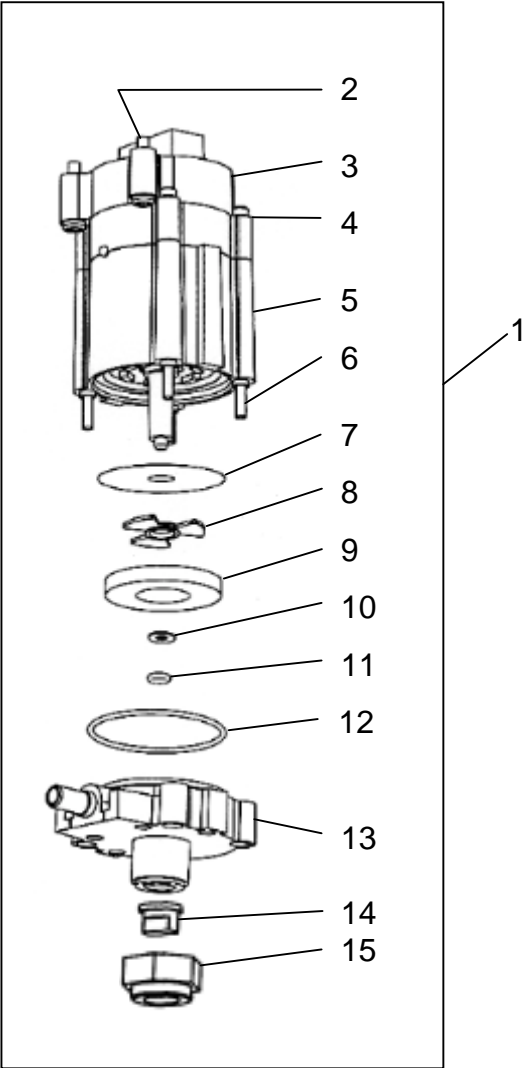
WeedSeeker[®] Sensor, Drawing



WeedSeeker[®] Sensor, Bill of Materials

Item	Part Number	Part Name	Qty
1	900-1-010	WeedSeeker [®] Sensor Model 650	A/R
2	350-3-005	Nut, Square - 5/16"	A/R
3	900-1-005	Valve Cartridge (VC01)	A/R
4	900-1-028	Valve Driver Cartridge (VDC05)	A/R
5	350-2-009	Washer, Lock - 5/16"	A/R
6	350-1-034	Bolt - 5/16" x 2 3/4" (permanent crop systems)	A/R
	350-1-032	Bolt - 5/16" x 2" (row crop systems)	A/R
7	350-6-022	Sensor Plug, Nylon	A/R

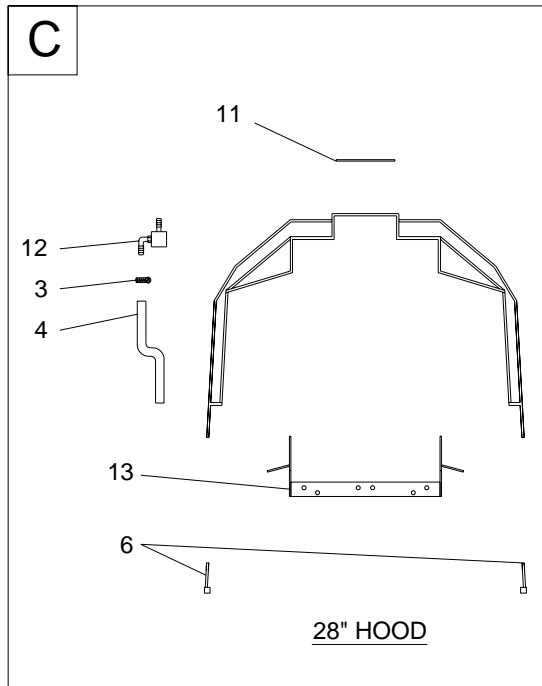
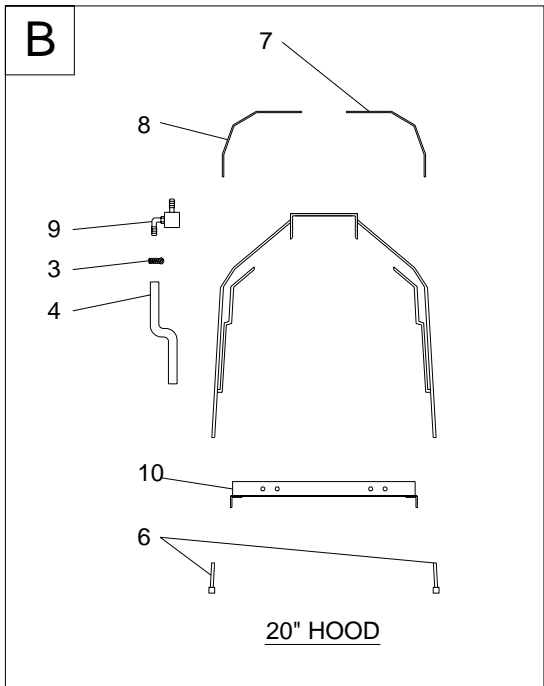
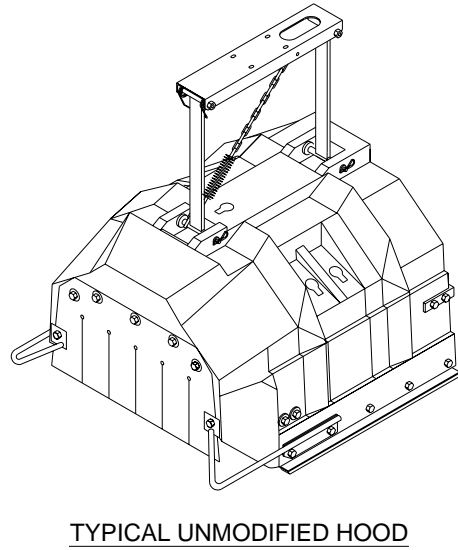
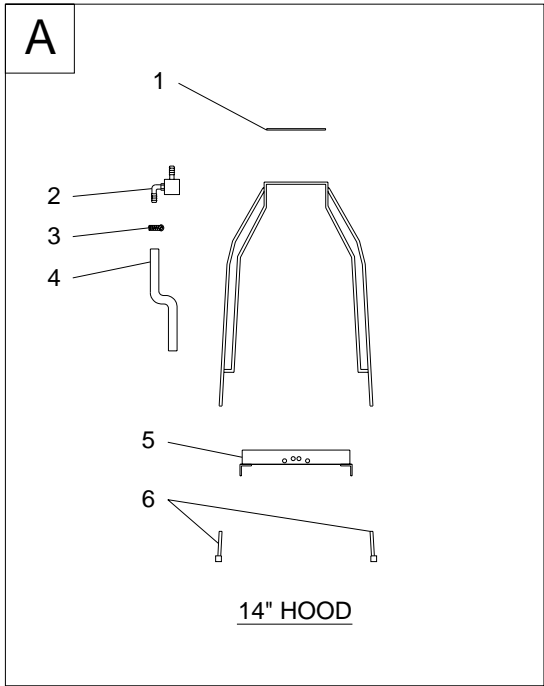
Valve Cartridge (VC01), Drawing



Valve Cartridge (VC01), Bill of Materials

Item	Part Number	Part Name	Qty
1	900-1-005	Valve Cartridge (VC01)	A/R
2	350-1-038	Screw, Captive - #6 x 3/4"	2
3	010-1-081	Lid Assembly (not available)	1
4	350-2-004	Washer, Lock - #4	4
5	010-1-082	Body	1
6	350-1-037	Screw - 4-40 x 2.5"	4
7	010-1-089	Filter Disk	1
8	010-1-085	Spacer	1
9	330-1-002	Magnet	1
10	350-2-013	Washer	1
11	350-4-022	O-ring, Small - 007-S-70	1
12	350-4-021	O-ring, Large - 028-S-70	1
13	010-1-083-01	Base	1
14	350-5-023	Nozzle Tip - 6502	1
15	350-5-022	Nozzle Cap - 8027-NYB	1
	900-1-013	VC01 Refurbishment Kit Includes Items # 7, 10, 11, 12 (not shown)	A/R

Row Crop Hoods, Drawing

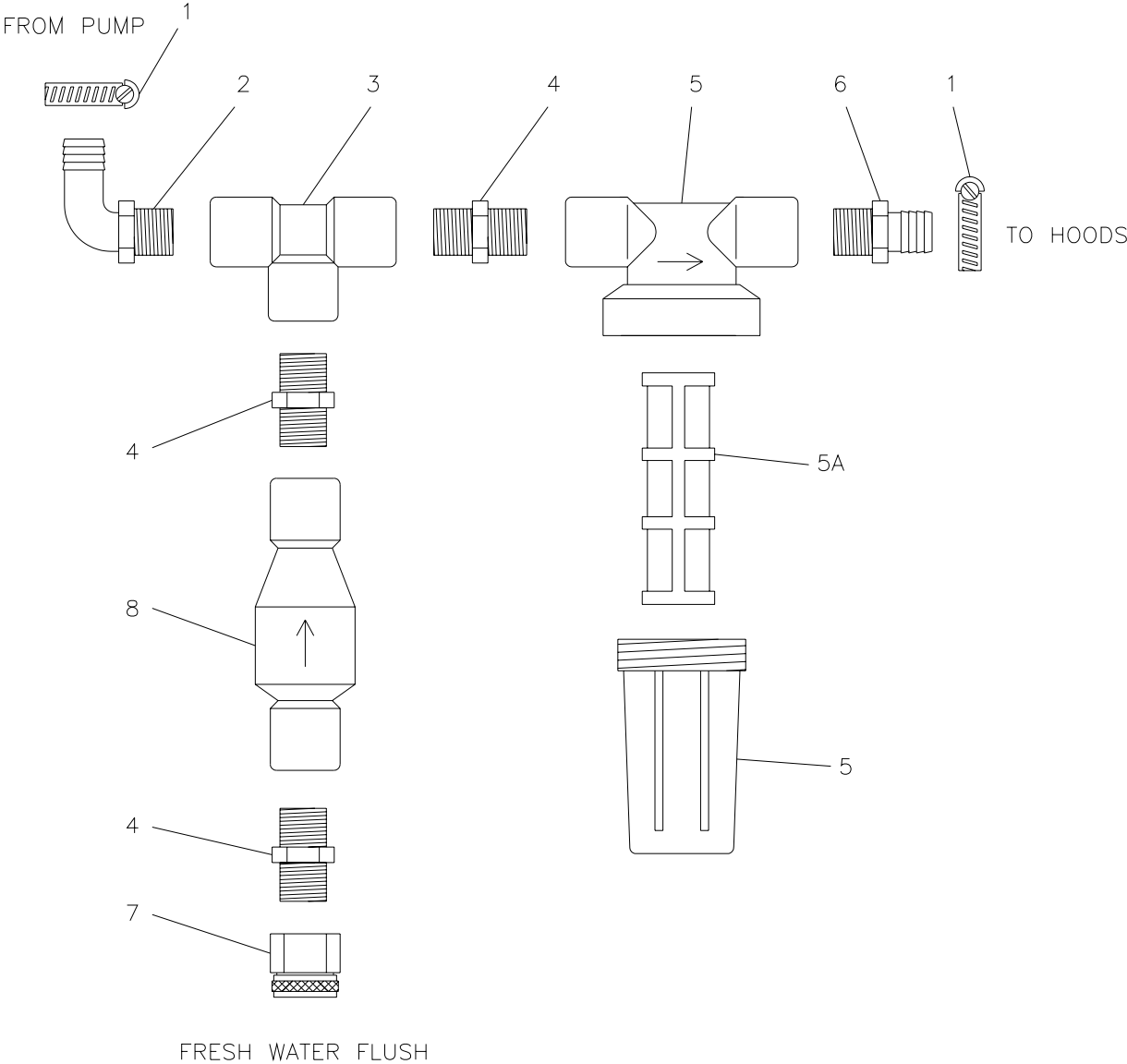


Row Crop Hoods, Parts List

Item	Part Number	Part Name	28" Hood Qty	20" Hood Qty	14" Hood Qty
1	850-1-057	Cover, 14" Hood	N/A	N/A	1
2	850-1-054	Manifold, 14 inch hood	N/A	N/A	1
3	360-2-003	Clamp, Hose – 1/4"	4	3	2
4	360-2-009	Hose – 1/4" ID, 12"	3	2	1
5	850-1-058	Internal Mounting Frame, 14" Hood	N/A	N/A	1
6	850-1-020	Skid, Wear Slide –Patchen	2	2	2
7	850-1-024	Cover, 20" Hood, Right Side	N/A	1	N/A
8	850-1-023	Cover, 20" Hood, Left Side	N/A	1	N/A
9	850-1-055	Manifold, 20 inch hood	N/A	1	N/A
10	850-1-061	Internal Mounting Frame, 20" Hood	N/A	1	N/A
11	850-1-062	Cover, 28" Hood	1	N/A	N/A
12	850-1-056	Manifold, 28 inch hood	1	N/A	N/A
13	850-1-063	Internal Mounting Frame, 28" Hood	1	N/A	N/A
*		Screw - #10, Self Tapping, (Covers)	8	10	4
*		Bolt, Hex – 5/16" x 1", (Frame)	6	4	4
*		Washer, Flat – 5/16", (Frame)	6	4	4
*		Nut, Lock – 5/16", Nylon Insert, (Frame)	6	4	4
*		Bolt – 1/4" x 1", GR2, (Skid Hardware)	4	4	4
*		Washer, Fender – 1/4" (Skid Hardware)	6	6	6
*		Bolt – 1/4" x 3/4", GR2 (Skid Hardware)	6	6	6
*		Nut, Lock – 1/4", Nylon Insert	10	10	10
A	850-1-003	Complete 14" Hood			
B	850-1-004	Complete 20" Hood			
C	850-1-005	Complete 28" Hood			

* Not shown

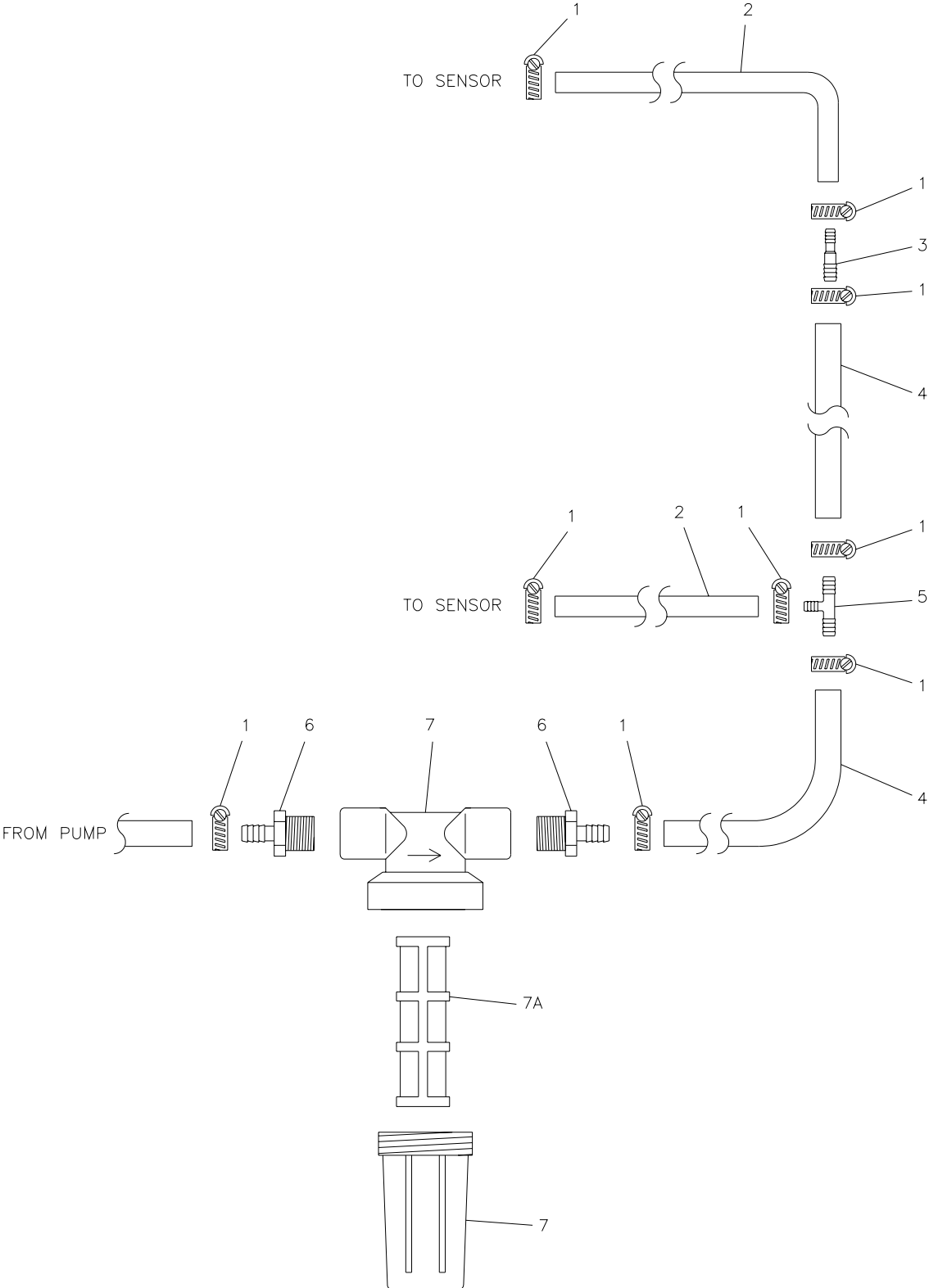
Plumbing, Row Crop Systems Drawing



Plumbing, Row Crop Systems, Bill of Materials

Item	Part Number	Part Name	With Tank & Pump
1	360-2-010	Clamp, Hose - 3/4", SS Band	2
2	360-1-102	Fitting, Hose, Ell - 3/4" NPTM X 3/4" HB	1
3	360-1-104	Tee, 3/4", NPTF	1
4	360-1-105	Nipple, Close - 3/4" NPTM	3
5	360-1-026	Strainer, Tee - 3/4", w/200 Mesh Screen	1
5A	360-1-110	Screen, 200 Mesh	1
6	360-1-103	Fitting, Hose - 3/4", NPTM X 3/4" HB	1
7	360-1-107	Swivel - 3/4", NPTF X 3/4" GHTF	1
8	360-1-108	Valve, Check - 3/4" NPTF	1
	370-2-003	Tie Wrap - 20", Black, not shown	2

Plumbing, Permanent Crop Systems, Drawing



Plumbing, Permanent Crop Systems, Bill of Materials

Item	Part Number	Part Name	Qty
1	360-2-003	Clamp, Hose - 1/4"	A/R
2	360-2-009	Hose - 1/4" x 18"	A/R
3	360-1-003	Hose Barb Union - 3/8" x 1/4"	A/R
4	360-2-008	Hose - 3/8"	20'
5	360-1-004	Hose Barb Comb Tee - 3/8" x 3/8" x 1/4"	A/R
6	360-1-109	Hose Barb, 3/4" NPTM X 3/8" HB	2
7	360-1-026	Strainer, Tee - 3/4" w/200 Mesh Screen	1
7A	360-1-110	Screen, 200 Mesh	1